

YASUI SEIKI

β Coater™

* PATENT PENDING

SNC-280

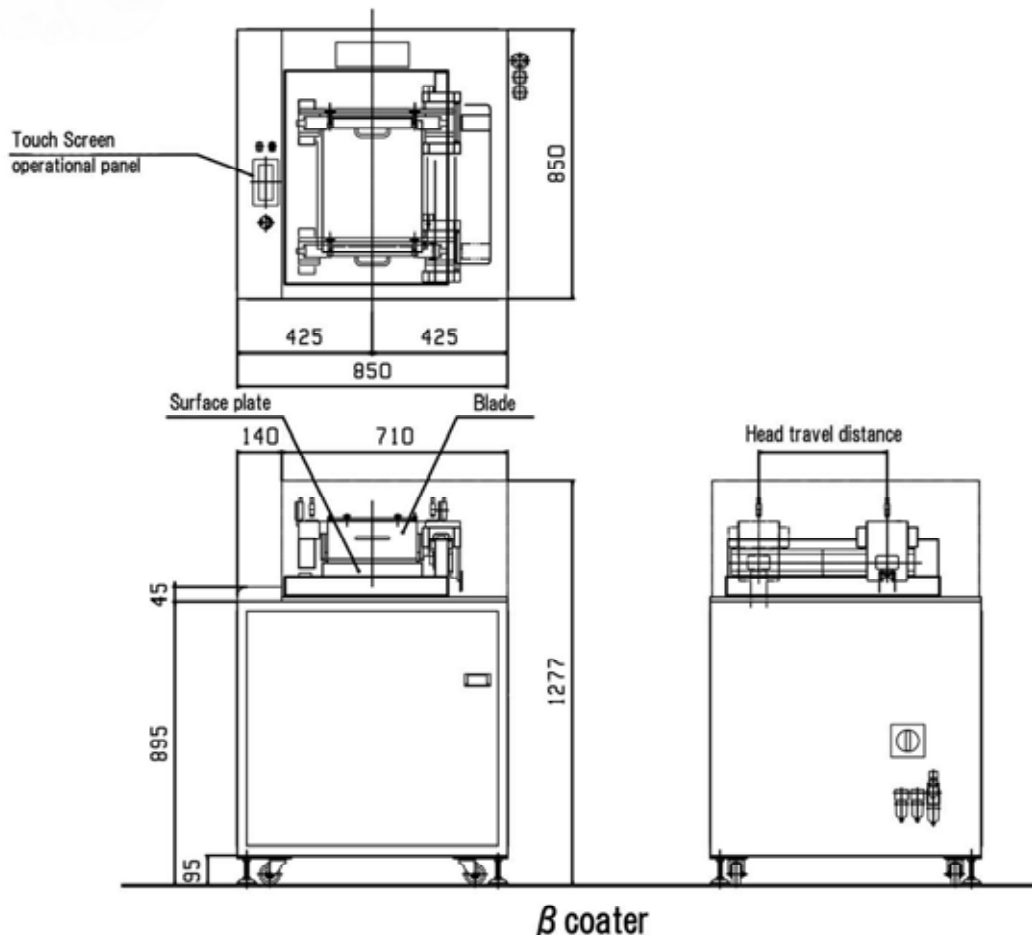


- * Coating width **315** mm fixed
- * Substrate width **B4 & A4**
- * Line speed **0.5~3** m/min
- * Coating technique **variable gap blade**
- * Driving system **Linear servo motor**
- * Linear Guide **Air bearing flotation**

Specification

Factory-requirement	Power supply	3phase 200V 50(60)Hz
	Capacitance	20A
	Compressed air	0.5MPa 6ℓ/min
SPEC	Line speed	0.5~3.0m/min
	Driving system	Linear servo motor
	Head travel distance	400mm fixed
	Substrate fixing method	Suction plate
	Coating width	315 mm fixed
	Substrate width	B4 (A4)
	Reference Coating thickness	20~200 μ m or more
	Total weight	500kg
Painting color	Glossy black(N1:Munsell value)	

Outside Dimensions



MIRWEC Film, Inc. & Yasui Seiki Co., (USA)
 601 S Liberty Drive, Bloomington, IN 47403
 Machine Sales Inquiry; coating@mirwecfilm.com